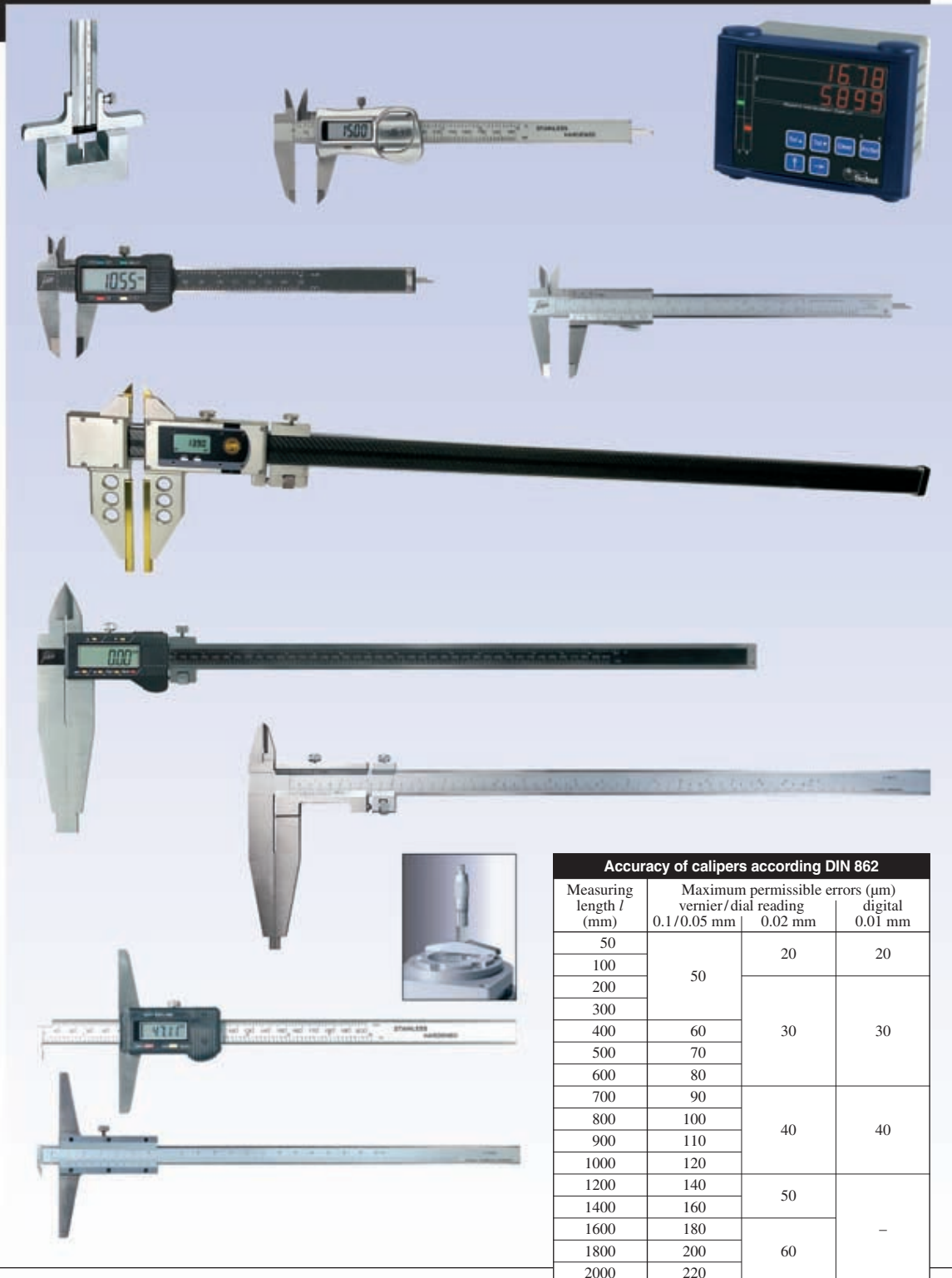


## Calipers / Depth calipers and micrometers



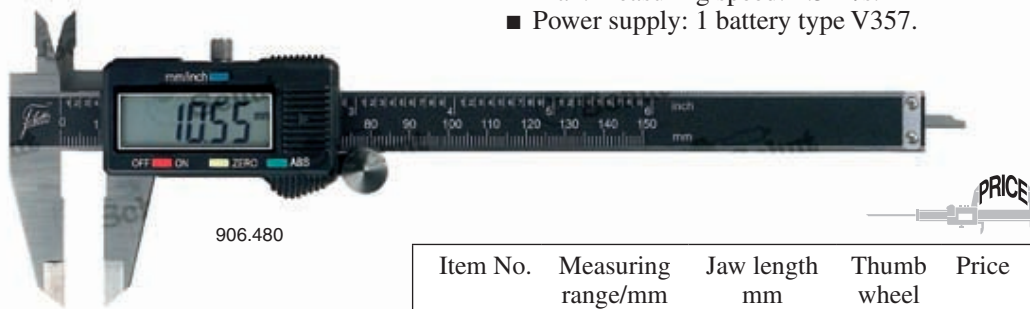
C02.001 - EN-dealer.2011.0825

Visite nuestra web en Internet en [www.arapa.es](http://www.arapa.es)

## Absolute digital calipers

Calipers with an absolute measuring system. This gives you the advantage that the caliper stores the one-time setting of the absolute zero position until the battery has to be changed. This reduces the chance of measuring errors and enables you to use the caliper without zero setting.

- Measuring range: 0 - 300 mm.
- Resolution: 0.01 mm.
- mm/inch conversion.
- ABS/INC switchable.
- Digit height: 11 mm.
- On/off switch.
- Max. measuring speed: 1.5 m/s.
- Power supply: 1 battery type V357.



906.480

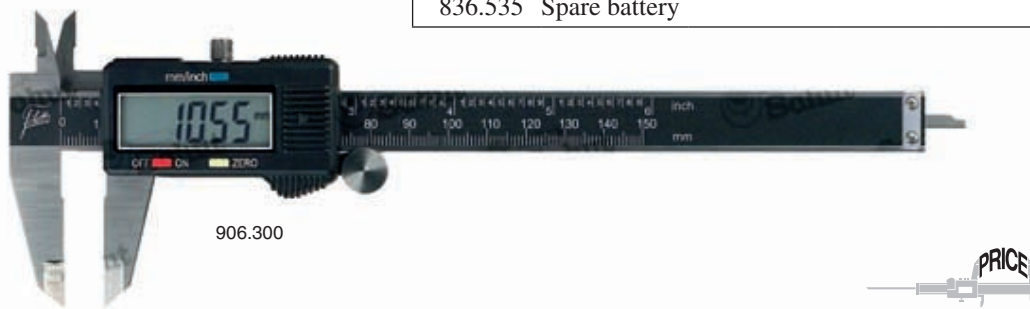


Item No.	Measuring range/mm	Jaw length mm	Thumb wheel	Price
906.480	0 - 150	40	yes	
906.481	0 - 200	50	yes	
906.482	0 - 300	60	yes	
<b>Option:</b>				
836.535	Spare battery			

## Digital calipers with excellent price-performance ratio

- Measuring range: 0 - 300 mm.
- Resolution: 0.01 mm.
- mm/inch conversion.
- Digit height:  
measuring range  $\leq 100$  mm: 7 mm,  
measuring range  $\geq 150$  mm: 11 mm.
- On/off switch.
- Reset.
- Power supply: 1 battery type V357.

Item No.	Measuring range/mm	Jaw length mm	Thumb wheel	Price
906.483	0 - 75	30	no	
906.484	0 - 100	30	no	
<b>906.300</b>	<b>0 - 150</b>	<b>40</b>	<b>yes</b>	
906.302	0 - 200	50	yes	
906.304	0 - 300	60	yes	
<b>Left-handed model:</b>				
906.299	0 - 150	40	yes	
<b>Option:</b>				
836.535	Spare battery			



906.300

Visite nuestra web en Internet en  
[www.arapa.es](http://www.arapa.es)

## Absolute digital calipers

The advantage of these calipers is the one-time setting of the absolute zero position until the battery has to be changed. This reduces the chance of measuring errors and enables you to use the calipers without zero setting.

- Measuring range: 0 - 300 mm.
- Resolution: 0.01 mm.
- mm/inch conversion.
- ABS/INC switchable.
- Digit height: 10 mm.
- On/off switch.
- Reset.
- Max. measuring speed: 1.5 m/s.
- DIN 862.
- Delivery with an inspection report.
- Power supply: 1 battery type V357.



907.546

Item No.	Measuring range/mm	Jaw length mm	Price
907.546	0 - 150	40	
907.547	0 - 200	50	
907.548	0 - 300	60	
<b>Option:</b>			
836.535	Spare battery		

## Digital calipers

The advantage of these calipers is the one-time setting of the absolute zero position until the battery has to be changed. This reduces the chance of measuring errors and enables you to use the calipers without zero setting.

- Measuring range: 0 - 300 mm.
- Resolution: 0.01 mm.
- mm/inch conversion.
- Digit height: 10 mm.
- On/reset switch.
- Max. measuring speed: 1.5 m/s.
- DIN 862.
- Delivery with an inspection report.
- Power supply: 1 battery type V357.



907.537

Item No.	Measuring range/mm	Jaw length mm	Price
907.537	0 - 150	40	
907.538	0 - 200	50	
907.539	0 - 300	60	
<b>Option:</b>			
836.535	Spare battery		

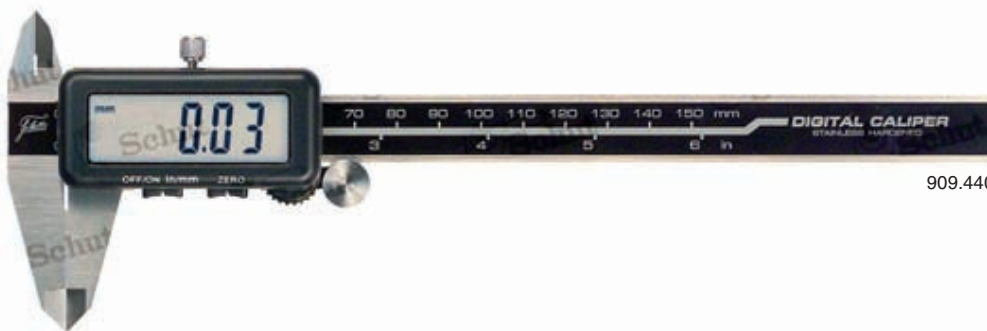


Visite nuestra web en Internet en  
[www.arapa.es](http://www.arapa.es)

## Digital calipers with glass ruler

Equipped with a glass ruler. Very easy displacement by non-contact movement.

- Measuring range: 0 - 300 mm.
- Resolution: 0.01 mm.
- mm/inch conversion.
- ABS/INC switchable (only 909.443/444/445).
- Digit height: 12 mm.
- On/reset switch.
- Automatic switch-off.
- DIN 862.
- Delivery with an inspection report.
- Power supply: 1 battery type CR2025.



909.440

**NEW**

**PRICE**



909.440

Item No.	Measuring range/mm	Jaw length mm	Price
909.440	0 - 150	40	
909.441	0 - 200	50	
909.442	0 - 300	60	
<b>Absolute calipers:</b>			
909.443	0 - 150	40	
909.444	0 - 200	50	
909.445	0 - 300	60	
<b>Options:</b>			
495.214	Spare battery		
909.446	USB connector		
937.179	Foot switch		



### USB connector:

- For data transfer to PC (e.g. Excel, Word).
- Operating system: Windows 2000/XP/Vista/7.
- PC connection: USB data output (cable length 2 m).
- No software or driver to install.
- Foot switch (optional).



909.446

Visite nuestra web en Internet en [www.arapa.es](http://www.arapa.es)

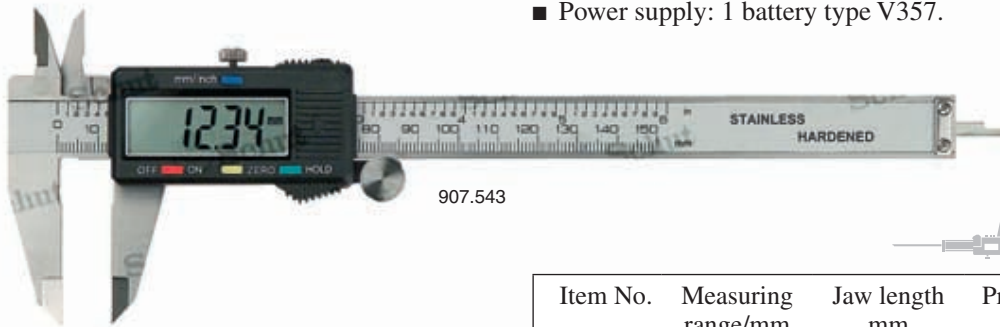
7

© 2011 MAQUINARIA INDUSTRIAL ARAPA, S.L.

## Digital calipers with hold function

Digital calipers with a function to hold the display value at any position.

- Measuring range: 0-300 mm.
- Resolution: 0.01 mm.
- mm/inch conversion.
- Digit height: 11 mm.
- On/off switch.
- Reset.
- Hold function.
- Power supply: 1 battery type V357.



907.543

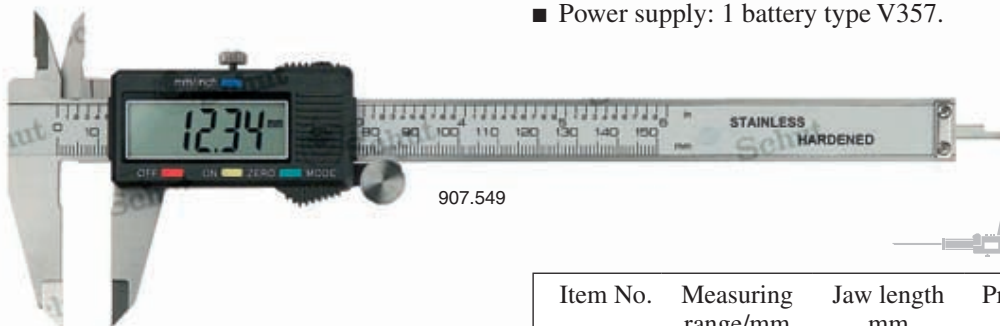
PRICE

Item No.	Measuring range/mm	Jaw length mm	Price
907.543	0-150	40	
907.544	0-200	50	
907.545	0-300	60	
<b>Option:</b>			
836.535	Spare battery		

## Digital calipers with min/max function

By keeping the mode button pressed you can hold the minimum and maximum measuring values.

- Measuring range: 0-300 mm.
- Resolution: 0.01 mm.
- mm/inch conversion.
- Digit height: 11 mm.
- On/off switch.
- Reset.
- Min/max function.
- Power supply: 1 battery type V357.



907.549

PRICE

Item No.	Measuring range/mm	Jaw length mm	Price
907.549	0-150	40	
907.550	0-200	50	
907.551	0-300	60	
<b>Option:</b>			
836.535	Spare battery		



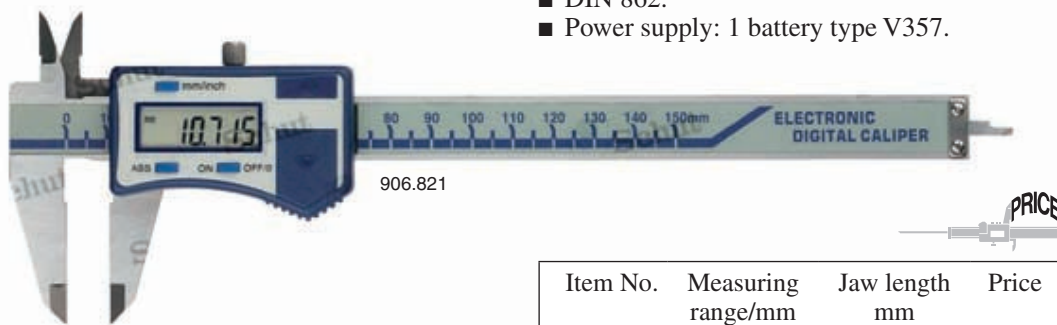
012-302-EN-declar/20110825

Visite nuestra web en Internet en [www.arapa.es](http://www.arapa.es)

## Digital calipers 0.005 mm

Calipers with a higher resolution and a measuring range up to 300 mm.

- Measuring range: 0-300 mm.
- Resolution: **0.005 mm**.
- mm/inch conversion.
- ABS/INC switchable.
- On/off switch.
- Max. measuring speed: 1.5 m/s.
- Flat depth rod.
- DIN 862.
- Power supply: 1 battery type V357.



906.821

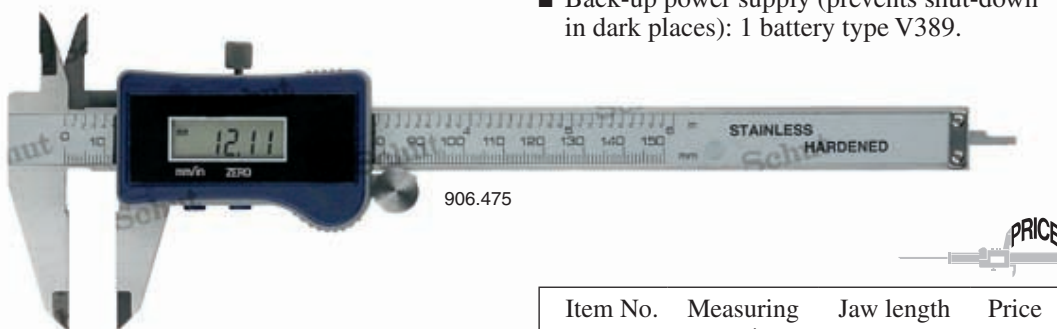


Item No.	Measuring range/mm	Jaw length mm	Price
906.821	0-150	40	
906.822	0-200	50	
906.823	0-300	60	
<b>Option:</b>			
836.535	Spare battery		

## Digital solar calipers

The solar power supply functions already with a low illumination level.

- Measuring range: 0-300 mm.
- Resolution: 0.01 mm.
- mm/inch conversion.
- Thumb wheel (except 906.493).
- Flat depth rod.
- Back-up power supply (prevents shut-down in dark places): 1 battery type V389.



906.475



Item No.	Measuring range/mm	Jaw length mm	Price
906.475	0-150	40	
906.492	0-200	50	
906.493	0-300	60	
<b>Option:</b>			
498.823	Spare battery		

Visite nuestra web en Internet en [www.arapa.es](http://www.arapa.es)

## Digital calipers IP54

These calipers have a protection degree of IP54 and are therefore protected against splash water and resistant to oil and dust. Zero setting at any position. Equipped with thumb wheel and locking screw.

- Measuring range: 0-300 mm.
- Resolution: 0.01 mm.
- mm/inch conversion.
- On/off switch.
- Reset.
- Max. measuring speed: 1.5 m/s.
- Thumb wheel and locking screw.
- Flat depth rod.
- Protection: IP54.
- Resistant to workshop conditions.
- Delivery in a case.
- Power supply: 1 battery type V357.



907.900

Item No.	Measuring range/mm	Jaw length mm	Price
907.900	0-150	40	
907.901	0-200	50	
907.902	0-300	60	
<b>Option:</b>			
836.535	Spare battery		

## Digital calipers IP67

These IP67 protected calipers are especially suitable for use in production environments: they are fully protected against dust intrusion and even last temporary immersion.

- Measuring range: 0-300 mm.
- Resolution: 0.01 mm.
- mm/inch conversion.
- Automatic switch-off.
- Reset.
- Locking screw.
- Flat depth rod.
- Protection: IP67.
- Power supply: 1 battery type CR2032.



908.801



Item No.	Measuring range/mm	Jaw length mm	Price
908.801	0-150	40	
908.802	0-200	50	
908.803	0-300	60	
<b>Option:</b>			
495.157	Spare battery		

Visite nuestra web en Internet en [www.arapa.es](http://www.arapa.es)

## Digital calipers IP67

These IP67 protected calipers are especially suitable for use in production environments: they are fully protected against dust intrusion and even lasts temporary immersion.

- Measuring range: 0 - 300 mm.
- Resolution: 0.01 mm.
- mm/inch conversion.
- Large, easy to read LCD display.
- On/reset switch.
- Automatic switch-off.
- Thumb wheel and locking screw.
- Stable flat depth rod.
- Protected rack.
- Protection: IP67.
- DIN 862.
- Delivery with an inspection report.
- Power supply: 1 battery type V357.



907.500

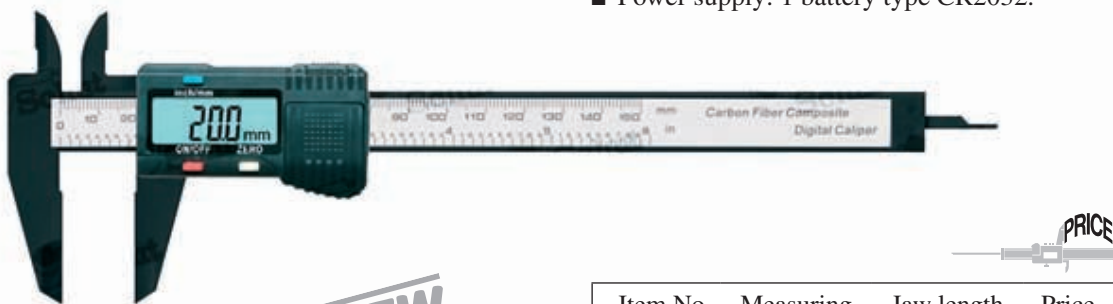


Item No.	Measuring range/mm	Jaw length mm	Price
907.500	0 - 150	40	
907.501	0 - 200	50	
907.502	0 - 300	60	
<b>Option:</b>			
836.535	Spare battery		

## Digital carbon fiber caliper

Digital caliper made of carbon fiber.

- Measuring range: 0 - 150 mm.
- Resolution: 0.1 mm.
- Accuracy:  $\pm 0.2$  mm.
- mm/inch conversion.
- On/off switch.
- Automatic switch-off.
- Reset.
- Flat depth rod.
- Power supply: 1 battery type CR2032.



**NEW**

Item No.	Measuring range/mm	Jaw length mm	Price
909.420	0 - 150	40	
<b>Option:</b>			
495.157	Spare battery		

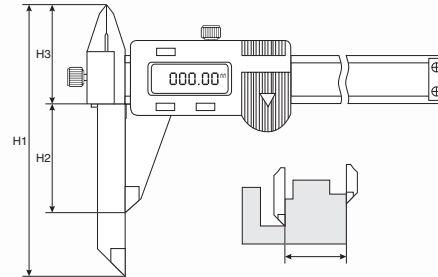
Visite nuestra web en Internet en [www.arapa.es](http://www.arapa.es)



## Digital calipers with slidable measuring jaw

For measuring distances between planes at different levels. Very suitable as scribing tool!

- Measuring range: 0 - 500 mm.
- Resolution: 0.01 mm.
- mm/inch conversion.
- On/off switch.
- Reset.
- Power supply: 1 battery type V357.



Item No.	Measuring range/mm	Jaw length/mm			Price
		H1	H2	H3	
906.345	0 - 150	110	40	37	
906.346	0 - 200	120	50	40	
906.347	0 - 300	130	60	42	
906.348*	0 - 500	210	100	69	

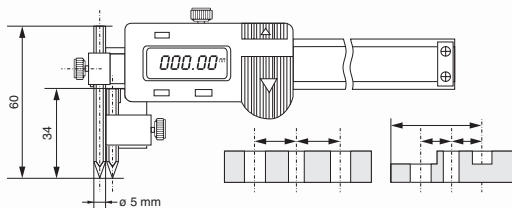
**Option:**  
836.535 Spare battery

\* Model with absolute digital display.

## Digital calipers for measuring center distances

Suited for measuring center distances between bores from  $\varnothing 1$  up to 4.5 mm. Because both measuring jaws are adjustable in height it is possible to measure center distances between bores that are positioned at different levels.

- Measuring range: 5 - 300 mm.
  - Resolution: 0.01 mm.
  - mm/inch conversion.
  - On/off switch.
  - Reset.
- Power supply: 1 battery type V357.



Item No.	Measuring range/mm	Price
906.395	5 - 150	
906.396	5 - 200	
906.397	5 - 300	

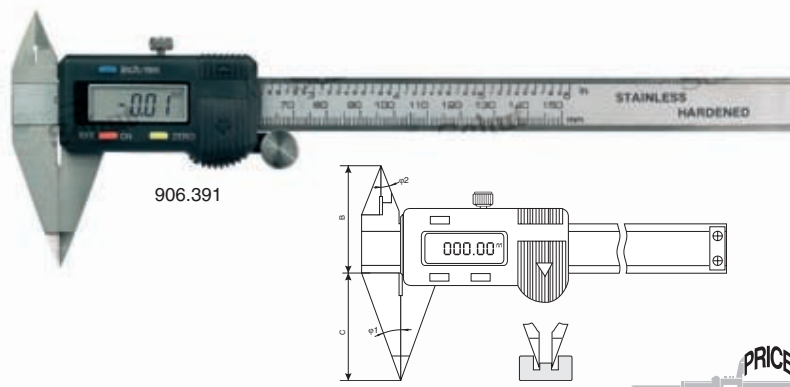
**Option:**  
836.535 Spare battery

Visite nuestra web en Internet en  
[www.arapa.es](http://www.arapa.es)

## Digital calipers with pointed measuring jaws

The pointed measuring jaws of these calipers enable you to measure distances in places that are hard to reach.

- Measuring range: 0-300 mm.
- Resolution: 0.01 mm.
- mm/inch conversion.
- On/off switch.
- Reset.
- Power supply: 1 battery type V357.



Item No.	Measuring range/mm	Jaw length C/mm	Length B/mm	Angle φ1	Angle φ2	Price
906.391	0-150	40	37	20°	20°	
906.392	0-200	50	40	20°	22.5°	
906.393	0-300	60	42	20°	22.5°	

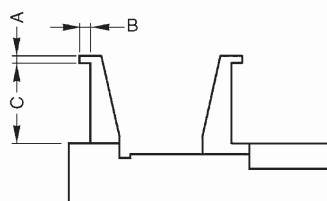
**Option:**  
836.535 Spare battery



## Digital calipers with outside angled measuring jaws

These calipers have short, stable, V-shaped measuring jaws with a flat front. Specially designed for measuring bore and internal groove diameters.

- Measuring range: 9-200 mm.
- Resolution: 0.01 mm.
- mm/inch conversion.
- On/off switch.
- Preset at 10 mm (delivery incl. setting ring).
- Preset through SET, + and - switches.
- Thickness measuring face: 0.5 mm.
- Power supply: 1 battery type V357.



Item No.	Measuring range/mm	Length/mm	Price
		A B C	
907.556	9-150	1.5 3.5 27.5	
907.557	9-200	1.5 3.5 27.5	

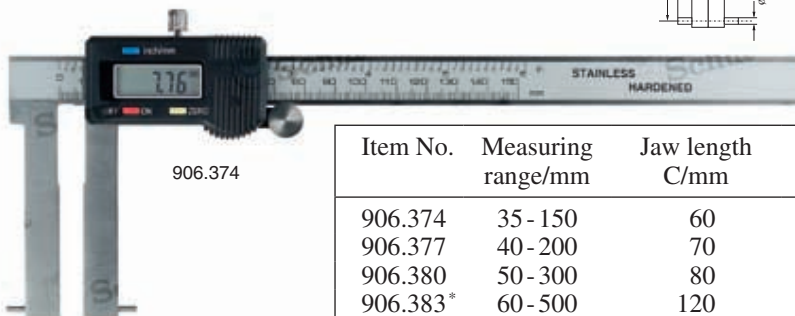
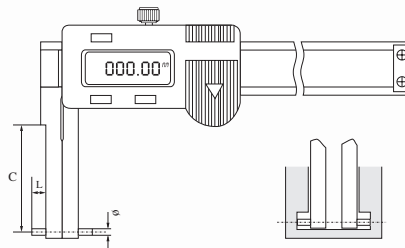
**Option:**  
836.535 Spare battery

Visite nuestra web en Internet en [www.arapa.es](http://www.arapa.es)

## Digital calipers with outside angled measuring pins

These calipers are equipped with outside angled rounded pins.

- Measuring range: 35 - 500 mm.
- Resolution: 0.01 mm.
- mm/inch conversion.
- On/off switch.
- Reset.
- Power supply: 1 battery type V357.



Item No.	Measuring range/mm	Jaw length C/mm	Pin ø/mm	Pin length L/mm	Price
906.374	35 - 150	60	2	6	
906.377	40 - 200	70	3	7	
906.380	50 - 300	80	3	10	
906.383*	60 - 500	120	2.5	10	

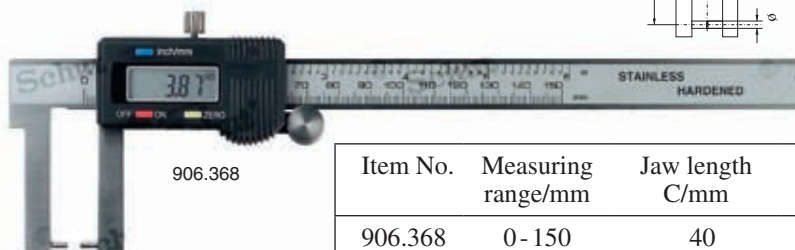
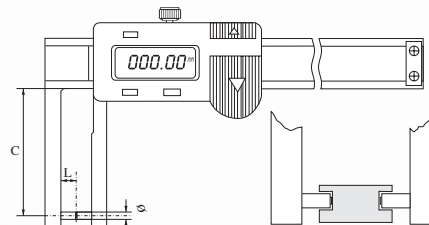
**Option:**  
836.535 Spare battery

\* Model with absolute digital display.

## Digital calipers with inside angled measuring pins

These calipers are equipped with inside angled rounded pins.

- Measuring range: 0 - 500 mm.
- Resolution: 0.01 mm.
- mm/inch conversion.
- On/reset switch.
- Power supply: 1 battery type V357.



Item No.	Measuring range/mm	Jaw length C/mm	Pin ø/mm	Pin length L/mm	Price
906.368	0 - 150	40	2	5	
906.369	0 - 200	50	2.5	8	
906.370	0 - 300	60	2.5	10	
906.371*	0 - 500	100	3	12	

**Option:**  
836.535 Spare battery

\* Model with absolute digital display.



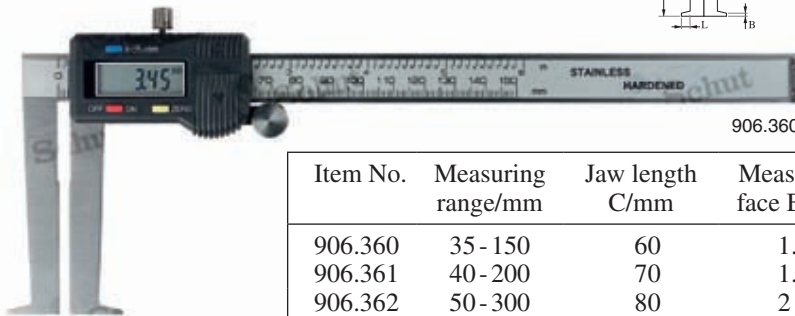
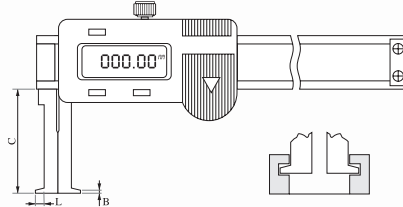
012-2015-EN-declar/20110825

Visite nuestra web en Internet en [www.arapa.es](http://www.arapa.es)

## Digital calipers with outside angled measuring jaws

These calipers are equipped with outside angled V-shaped measuring jaws.

- Measuring range: 35 - 500 mm.
- Resolution: 0.01 mm.
- mm/inch conversion.
- On/off switch.
- Reset.
- Power supply: 1 battery type V357.



Item No.	Measuring range/mm	Jaw length C/mm	Measuring face B/mm	Jaw length L/mm	Price
906.360	35 - 150	60	1.5	6	
906.361	40 - 200	70	1.5	7	
906.362	50 - 300	80	2	8	
906.363*	60 - 500	120	2.5	10	

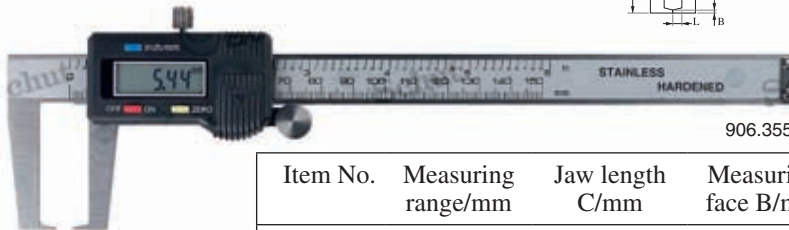
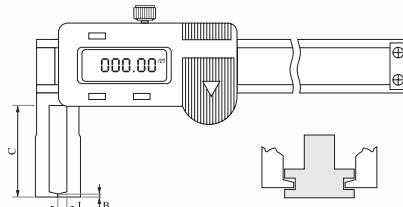
**Option:**  
836.535 Spare battery

\* Model with absolute digital display.

## Digital calipers with inside angled measuring jaws

These calipers are equipped with inside angled V-shaped measuring jaws.

- Measuring range: 0 - 500 mm.
- Resolution: 0.01 mm.
- mm/inch conversion.
- On/off switch.
- Reset.
- Power supply: 1 battery type V357.



Item No.	Measuring range/mm	Jaw length C/mm	Measuring face B/mm	Jaw length L/mm	Price
906.355	0 - 150	40	1	5	
906.356	0 - 200	50	1	7	
906.357	0 - 300	60	1.5	8	
906.358*	0 - 500	100	2	12	

**Option:**  
836.535 Spare battery

\* Model with absolute digital display.



Visite nuestra web en Internet en  
[www.arapa.es](http://www.arapa.es)

## Digital calipers for internal length measurement

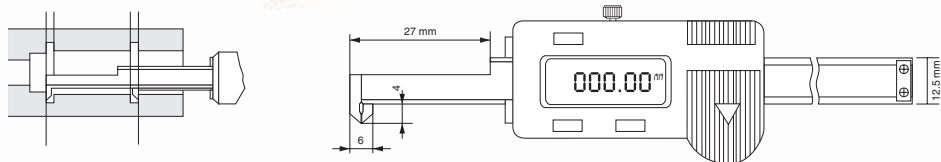
Calipers with outside angled, pointed measuring jaws for the measurement of for example internal grooves.

- Measuring range: 0 - 200 mm.
- Resolution: 0.01 mm.
- mm/inch conversion.
- On/reset switch.
- Power supply: 1 battery type V357.

Item No.	Measuring range/mm	Price
906.386	0 - 140	
906.387	0 - 200	
<b>Option:</b>		
836.535	Spare battery	



906.386



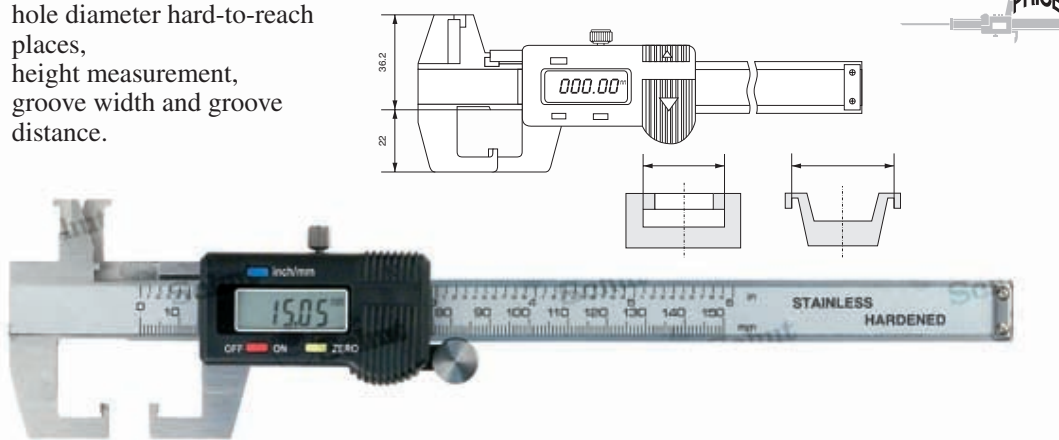
## Digital caliper for groove measurements

- Measuring range: 0 - 150 mm.
- Resolution: 0.01 mm.
- mm/inch conversion.
- On/off switch.
- Reset.
- Also suitable for:
  - internal diameter attached collar,
  - internal diameter U-shaped flange on axis,
  - center distances blind holes under-surface flange on axis,
  - hole diameter hard-to-reach places,
  - height measurement,
  - groove width and groove distance.



- Equipped with small measuring jaws on top of the caliper.
- Power supply: 1 battery type V357.

Item No.	Measuring range/mm	Price
906.365	0 - 150	
<b>Option:</b>		
836.535	Spare battery	



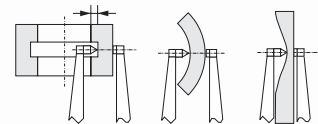
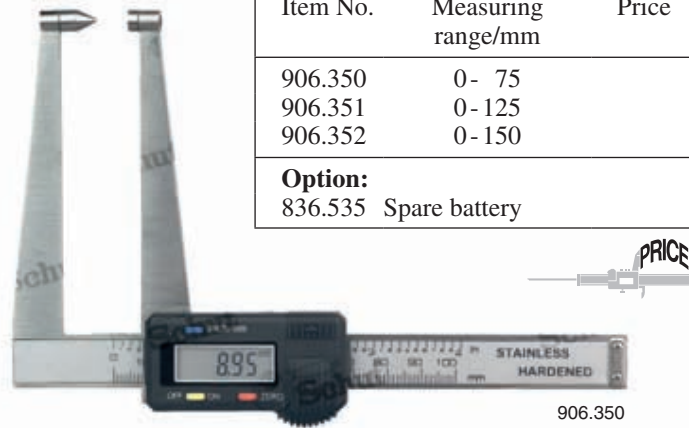
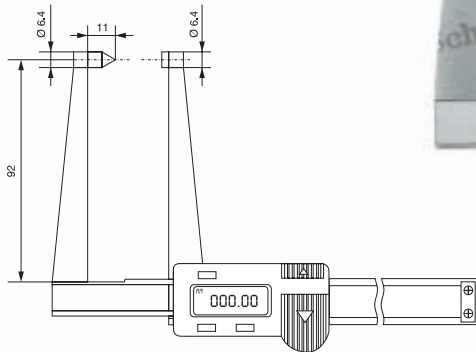
Visite nuestra web en Internet en [www.arapa.es](http://www.arapa.es)

## Digital calipers with pointed anvil

Because of the pointed anvil and the long measuring jaws you can measure with these calipers all sorts of wall thicknesses in places that are hard to reach and of for example round surfaces.

- Measuring range: 0- 150 mm.
- Resolution: 0.01 mm.
- mm/inch conversion.
- On/off switch.
- Reset.
- Power supply: 1 battery type V357.

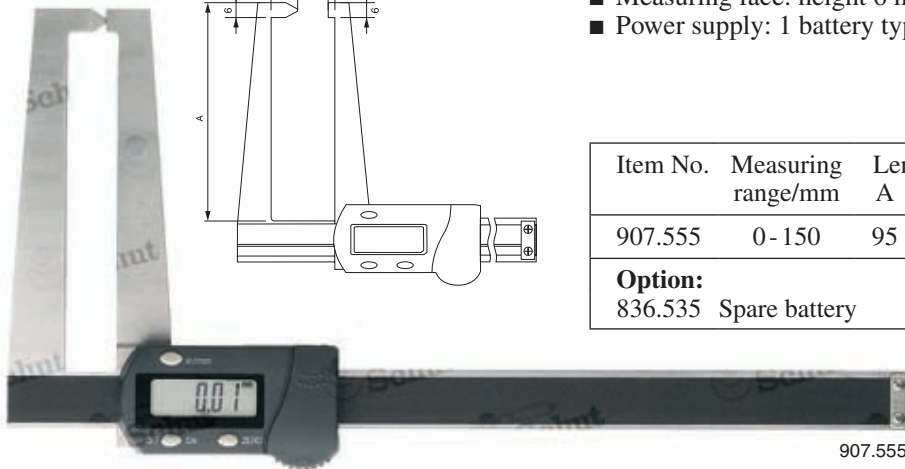
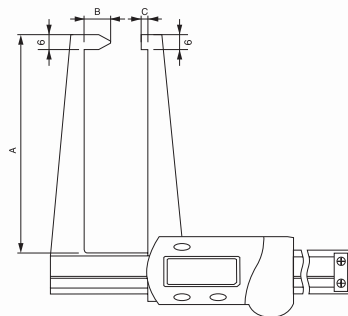
Item No.	Measuring range/mm	Price
906.350	0- 75	
906.351	0- 125	
906.352	0- 150	
<b>Option:</b>		
836.535	Spare battery	



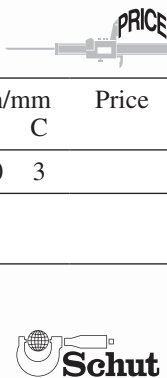
## Digital caliper with square, pointed anvil

Because of the pointed anvil and the long measuring jaws you can measure with this caliper all sorts of wall thicknesses in places that are hard to reach and of for example round surfaces.

- Measuring range: 0- 150 mm.
- Resolution: 0.01 mm.
- mm/inch conversion.
- Digit height: 10 mm.
- On/off switch.
- Reset.
- Anvil: height 1 mm, width 0.5 mm.
- Measuring face: height 6 mm, width 3 mm.
- Power supply: 1 battery type V357.



Item No.	Measuring range/mm	Length/mm	Price
		A B C	
907.555	0- 150	95 10 3	
<b>Option:</b>			
836.535	Spare battery		



Visite nuestra web en Internet en [www.arapa.es](http://www.arapa.es)

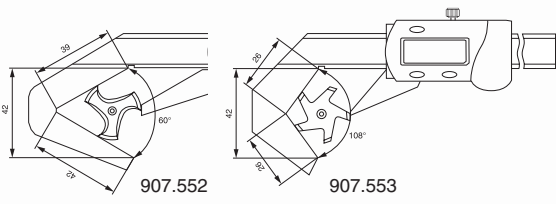
## Digital calipers with prismatic anvil

Digital calipers with prismatic anvil for measuring objects with an uneven number of grooves like cutters, reamers and drills. The angle of the prism aperture is designed for workpieces having a number of 3 or 5 flutes.

- Measuring range: 1 - 40 mm.
- Resolution: 0.01 mm.
- Accuracy:  $\pm 0.05$  mm.
- mm/inch conversion.
- On/off switch.
- Reset through SET switch.
- Max. measuring speed: 1.5 m/s.
- Including setting gauge  $\varnothing 4$  mm (907.552) or  $\varnothing 1$  mm (907.553).
- Power supply: 1 battery type V357.
- Also analog models available.

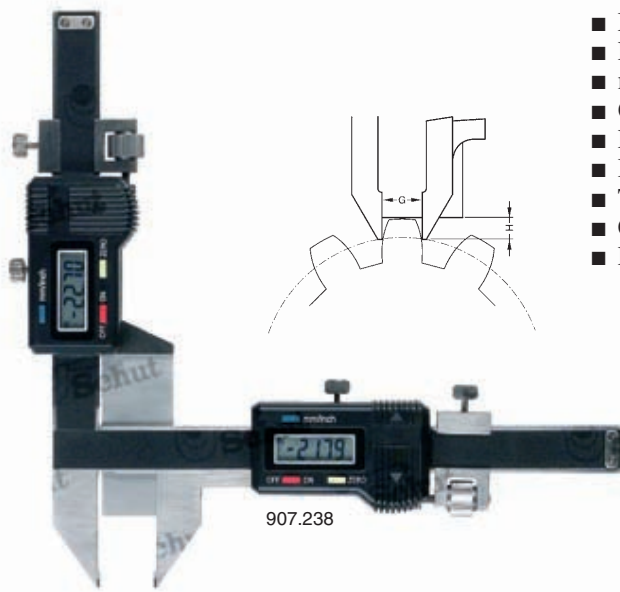


Item No.	For work-pieces with	Measuring range/mm	Price
907.552	3 flutes	4 - 40	
907.553	5 flutes	1 - 40	
<b>Option:</b> 836.535 Spare battery			



## Digital gear tooth thickness calipers

The vertical slider sets the height (H) from the top of the tooth to the pitch line. Subsequently, the horizontal slider measures the tooth thickness (G) at the pitch line.



- Measuring range: module 1 - 50.
- Resolution: 0.01 mm.
- mm/inch conversion.
- On/off switch.
- Reset.
- Hardened stainless steel construction.
- Tungsten carbide measuring faces.
- Conforms to factory standard.
- Power supply: 2 batteries type V357.



Item No.	Module	Price
907.238	1 - 30	
907.239	5 - 50	
<b>Option:</b> 836.535 Spare battery (2 needed)		

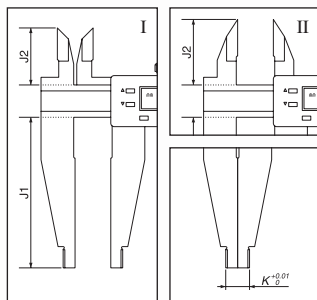
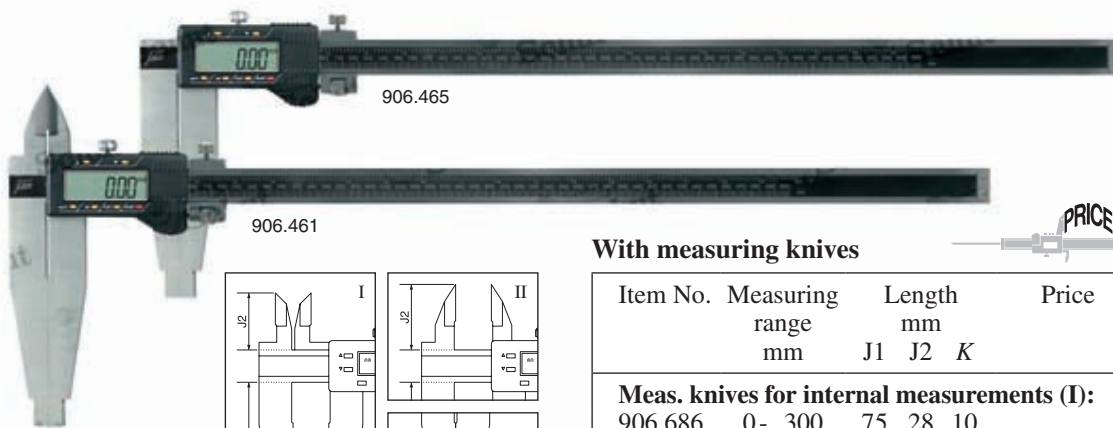
Visite nuestra web en Internet en [www.arapa.es](http://www.arapa.es)

## Absolute digital workshop calipers

- Measuring range: 0-2000 mm.
- Resolution: 0.01 mm.
- mm/inch conversion.
- ABS/INC switchable.
- On/off switch.
- Reset/preset.

**NEW**

- Memory for measuring values when the display is switched off.
- Fine adjustment.
- Rounded jaw ends for internal measurements; measuring range 300 mm: K=10 mm, measuring range ≥ 500 mm: K=20 mm.
- Power supply: 1 battery type V357.



### Without measuring knives

Item No.	Measuring range mm	Length mm		Price
		J1	K	
906.708	0- 300	75	10	
906.709	0- 300	150	10	
906.465	0- 500	150	20	
906.470	0- 500	200	20	
906.718	0- 500	250	20	
906.466	0- 600	150	20	
906.471	0- 600	200	20	
906.719	0- 600	300	20	
906.467	0-1000	200	20	
906.472	0-1000	300	20	
906.468	0-1500	200	20	
906.473	0-1500	300	20	
906.469	0-2000	200	20	
906.474	0-2000	300	20	

Item No.	Description	Price
836.535	Spare battery	

### With measuring knives

Item No.	Measuring range mm	Length mm			Price
		J1	J2	K	
<b>Meas. knives for internal measurements (I):</b>					
906.686	0- 300	75	28	10	
906.687	0- 300	150	45	10	
906.688	0- 500	150	45	20	
906.689	0- 500	200	60	20	
906.690	0- 500	250	60	20	
906.691	0- 600	150	45	20	
906.692	0- 600	200	60	20	
906.693	0- 600	300	60	20	
906.694	0-1000	200	60	20	
906.695	0-1000	300	60	20	
906.696	0-1500	200	60	20	
906.697	0-1500	300	60	20	
906.698	0-2000	200	60	20	
906.699	0-2000	300	60	20	

<b>Meas. knives for external measurements (II):</b>					
906.460	0- 300	75	38	10	
906.758	0- 300	150	56	10	
906.461	0- 500	150	56	20	
906.759	0- 500	200	67	20	
906.760	0- 500	250	80	20	
906.761	0- 600	150	56	20	
906.762	0- 600	200	67	20	
906.763	0- 600	300	80	20	
906.462	0-1000	200	67	20	
906.764	0-1000	300	80	20	
906.463	0-1500	200	80	20	
906.765	0-1500	300	80	20	
906.464	0-2000	200	80	20	
906.766	0-2000	300	80	20	

Visite nuestra web en Internet en [www.arapa.es](http://www.arapa.es)



## Digital carbon workshop calipers IP54

These workshop calipers have a protection degree of IP54 and are therefore protected against splash water and resistant to oil and dust. Equipped with a data output.

- Measuring range: 0-3000 mm, internal measurements from 20 mm.
- Resolution: 0.01 mm.
- mm/inch conversion.
- Opto-RS232C data output.
- Two reference memories (REF I and REF II).
- On/off switch.
- Reset/preset.
- Hold function.
- Min/max function.
- Tolerance function.
- Fine adjustment.
- Slider equipped with rounded stainless steel faces, which minimalizes guidance errors.
- Hardened steel measuring jaws.
- With measuring knives.
- Protection: IP54 (except for the RS232C data output).
- Resistant to workshop conditions.
- Conforms to factory standard.
- Delivery in a case with an inspection report.
- Power supply: 1 battery type CR2032.
- Also available with special jaw lengths.



Item No.	Measuring range/mm	Accuracy/mm	Jaw length/mm	Weight/kg	Price
837.810	0-1000	±0.03	150	2.5	
837.811	0-1000	±0.03	200	2.6	
837.812	0-1500	±0.05	150	3.2	
837.813	0-1500	±0.05	200	3.3	
837.814	0-2000	±0.06	200	3.5	
837.847	0-3000	±0.08	200	4.0	

**Options:**

- 495.157 Spare battery
- 781.887 Opto-RS232C cable 9p (2 m)

Visite nuestra web en Internet en [www.arapa.es](http://www.arapa.es)

## Universal digital calipers

Large calipers, with a data output and exchangeable measuring inserts for special purposes (optionally available). All inserts with M2.5 thread can be used with this caliper. Please see the dial indicator accessories section for these inserts.

- Measuring range: 0 - 500 mm.
- Resolution: 0.01 mm.
- mm/inch conversion.
- ABS/INC switchable.
- Opto-RS232C data output.
- On/off switch.
- Reset/preset.
- Hold function.
- Interchangeable measuring inserts (not included).
- Locking screw.
- Stainless steel construction.
- DIN 862.
- Delivery in a case.
- Power supply: 1 battery type CR2032.

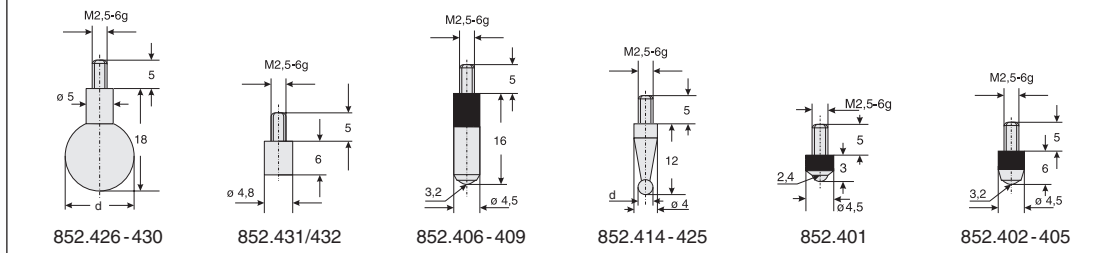


Item No.	Measuring range/mm		Jaw length mm	Weight kg	Price
	internal	external			
836.408	40 - 300	0 - 300	90	1.16	
836.409	50 - 500	0 - 500	100	2.52	

**Options:**  
 495.157 Spare battery  
 781.887 Opto-RS232C cable 9p (2 m)



Inserts examples. For more information see the dial indicator accessories section.



C02-306/EN-declar/20110825

Visite nuestra web en Internet en  
[www.arapa.es](http://www.arapa.es)

## Dial calipers

Stainless steel dial calipers with protected rack.

- Measuring range: 0-300 mm.
- Graduation: 0.01 or 0.02 mm.
- 1 pointer revolution = 1 or 2 mm.
- Rotatable dial.
- Thumb wheel.
- DIN 862.



906.500

PRICE

Item No.	Measuring range/mm	Price
<b>Graduation 0.02 mm, 1 revolution = 2 mm:</b>		
906.500	0 - 150	
906.499	0 - 200	
906.501	0 - 300	
<b>Graduation 0.01 mm, 1 revolution = 1 mm:</b>		
906.498	0 - 150	

## High-quality plastic calipers from Switzerland

These modern designed Swiss calipers are made of fiberglass re-enforced plastic, which makes them very firm and light, wear-proof, and resistant to all kinds of chemicals – ideal for the workshop! Each model is equipped with an easy read-out. Combined with the low price a line of very attractive calipers.

For 100 pieces or more the calipers and folding rules are available with prints. This gives you the opportunity to promote your company name or logo in an easy way and is within your own company, as well when used as a business gift, an outstanding marker. For more information about the printing possibilities please contact our sales department.

- Measuring range: 0-150 mm.
- Accuracy:  
±(0.1+0.001L) mm (L in mm).
- Thumb wheel.
- Delivery in a case.

### Vernier caliper

- Vernier: 0.1 mm / 1/64 inch.
- The scale lightens up with minimal light.

### Dial caliper

- Graduation: 0.1 mm.
- 1 pointer revolution = 10 mm.
- Rotatable dial, ø32 mm.
- The dial is shockproof and can be set to zero.

### Digital caliper

- Resolution: 0.01 mm.
- mm/inch conversion.
- On/reset switch.
- Off switch.
- Power supply: 1 battery type V357.



837.207



837.205



837.201



837.209:  
set with folding  
rule of 1 m

Item No.	Description	Price
837.207	Vernier caliper	
837.205	Dial caliper	
837.209	Set of dial caliper 837.205 with a folding rule of 1 m	
837.201	Digital caliper	
<b>Option:</b>		
836.535	Spare battery	

Visite nuestra web en Internet en  
[www.arapa.es](http://www.arapa.es)

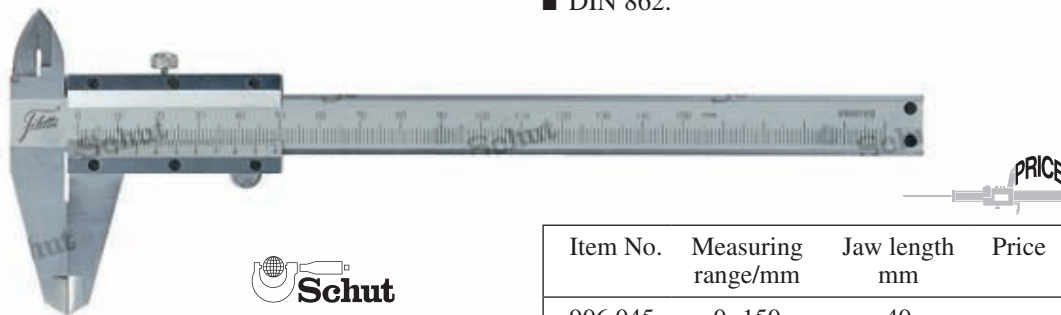
22

© 2011 MAQUINARIA INDUSTRIAL ARAPA, S.L.

## Caliper

Stainless steel caliper with no-glare chrome finished scale and vernier.

- Measuring range: 0 - 150 mm.
- Vernier: 0.02 mm.
- Locking screw.
- Flat depth rod.
- DIN 862.

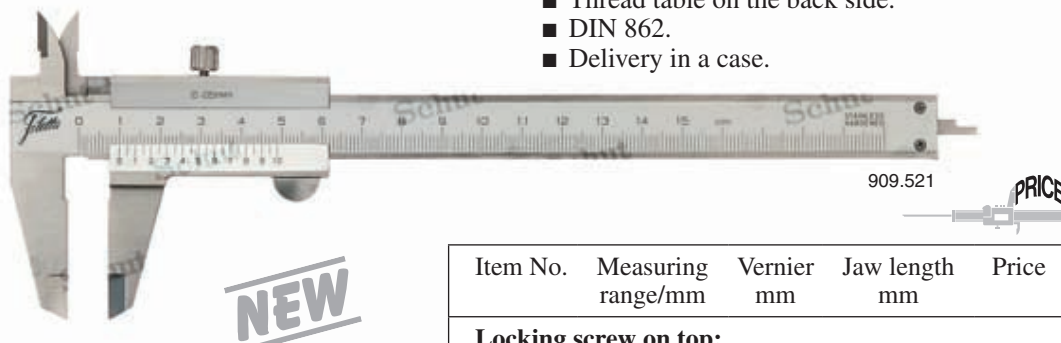


Item No.	Measuring range/mm	Jaw length mm	Price
906.045	0 - 150	40	

## Calipers

Hardened stainless steel calipers with no-glare chrome finished scale and vernier.

- Measuring range: 0 - 300 mm.
- Vernier: 0.05 or 0.02 mm. (All models are available with vernier 0.02 mm.)
- Raised sliders.
- Locking screw or spring release.
- Flat depth rod.
- Thread table on the back side.
- DIN 862.
- Delivery in a case.



Item No.	Measuring range/mm	Vernier mm	Jaw length mm	Price
<b>Locking screw on top:</b>				
909.520	0 - 100	0.05	30	
909.521	0 - 150	0.05	40	
909.522	0 - 160	0.05	40	
909.523	0 - 200	0.05	50	
909.524	0 - 300	0.05	60	
<b>Spring release:</b>				
909.525	0 - 150	0.05	40	
909.526	0 - 160	0.05	40	
909.527	0 - 200	0.05	50	
909.528	0 - 300	0.05	60	
<b>Spring release, left-handed model:</b>				
906.046	0 - 150	0.05	40	
906.047	0 - 150	0.02	40	



Visite nuestra web en Internet en [www.arapa.es](http://www.arapa.es)

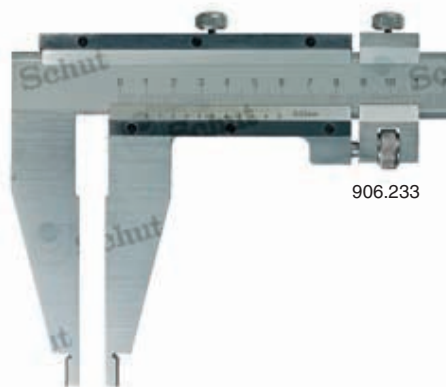
## Workshop calipers

Hardened stainless steel workshop calipers with no-glare chrome finished scale and vernier.

- Measuring range: 0 - 1500 mm.
- Vernier: 0.02 mm.
- Raised sliders (except 906.230).
- Fine adjustment.
- With measuring knives or rounded jaw ends for internal measurements.
- Locking screws.
- DIN 862.
- Delivery in a case.



906.230



906.233

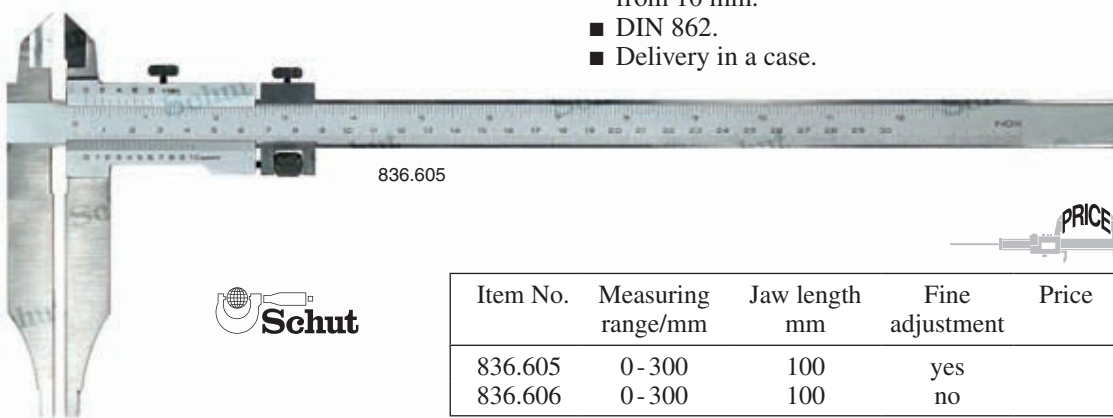


Item No.	Measuring range mm	Internal measurements from/mm	Jaw length mm	Price
<b>With measuring knives for internal measurements:</b>				
906.230	0- 300	-	65	
<b>With rounded jaw ends for internal measurements:</b>				
906.231	0- 300	10	80	
906.233	0- 500	10	100	
906.234	0- 600	10	100	
906.235	0- 1000	20	125	
906.236	0- 1500	20	125	

## Workshop calipers with extended jaw lengths

Hardened stainless steel workshop calipers with no-glare chrome finished scale and vernier.

- Measuring range: 0 - 300 mm.
- Vernier: 0.05 mm / 1/128 inch.
- Raised sliders.
- With or without fine adjustment.
- Measuring knives for external measurements.
- Rounded jaw ends for internal measurements from 10 mm.
- DIN 862.
- Delivery in a case.



836.605



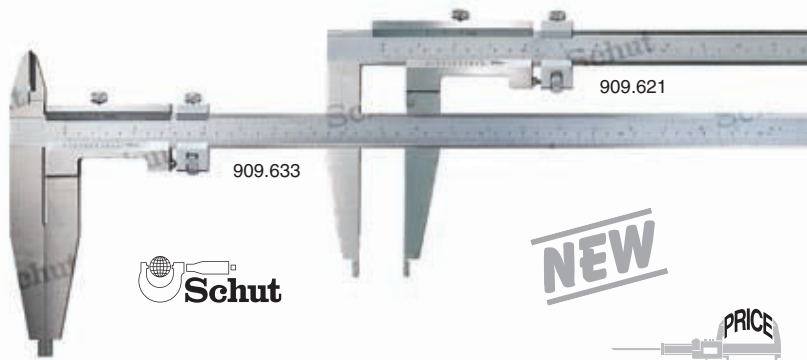
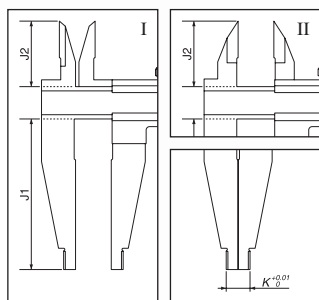
Item No.	Measuring range/mm	Jaw length mm	Fine adjustment	Price
836.605	0 - 300	100	yes	
836.606	0 - 300	100	no	

Visite nuestra web en Internet en [www.arapa.es](http://www.arapa.es)

## Workshop calipers

Large and solid, stainless steel calipers with no-glare chrome finished scale and vernier.

- Measuring range: 0-2000 mm.
- Vernier: 0.02 mm / 1/1000 inch or 0.05 mm / 1/128 inch.
- Fine adjustment.
- With or without measuring knives for internal or external measurements.
- Rounded jaw ends for internal measurements; measuring range ≤ 600 mm: K = 10 mm, measuring range > 600 mm: K = 20 mm.
- DIN 862.
- Delivery in a case.



### Vernier 0.05 mm / 1/128 inch

Item No.	Measuring range mm	Length mm			Price
		J1	J2	K	
<b>Without measuring knives:</b>					
909.670	0- 300	100	-	10	
909.620	0- 450	150	-	10	
909.621	0- 500	150	-	10	
909.622	0- 600	150	-	10	
909.623	0- 800	150	-	20	
909.624	0-1000	150	-	20	
909.639	0-1500	200	-	20	
909.640	0-2000	200	-	20	
<b>Meas. knives for internal measurements (I):</b>					
909.672	0- 300	100	22	10	
909.632	0- 400	100	46	10	
909.633	0- 500	150	46	10	
909.634	0- 600	150	46	10	
909.635	0- 750	150	54	20	
909.636	0-1000	150	54	20	
909.637	0-1500	200	66	20	
909.638	0-2000	200	66	20	
<b>Meas. knives for external measurements (II):</b>					
909.674	0- 300	90	22	10	
909.656	0- 400	100	46	10	
909.657	0- 500	150	46	10	
909.658	0- 600	150	46	10	
909.659	0- 750	150	54	20	
909.660	0-1000	150	54	20	
909.661	0-1500	200	66	20	
909.662	0-2000	200	66	20	

### Vernier 0.02 mm / 1/1000 inch

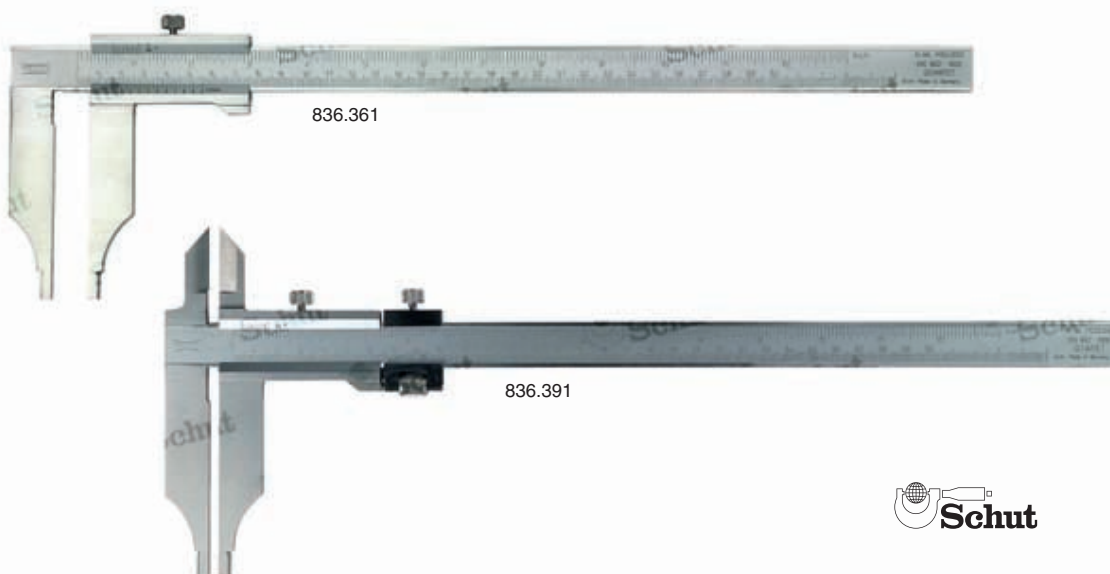
Item No.	Measuring range mm	Length mm			Price
		J1	J2	K	
<b>Without measuring knives:</b>					
909.671	0- 300	100	-	10	
909.615	0- 450	150	-	10	
909.616	0- 500	150	-	10	
909.617	0- 600	150	-	10	
909.618	0- 800	150	-	20	
909.619	0-1000	150	-	20	
909.641	0-1500	200	-	20	
909.642	0-2000	200	-	20	
<b>Meas. knives for internal measurements (I):</b>					
909.673	0- 300	100	22	10	
909.625	0- 400	100	46	10	
909.626	0- 500	150	46	10	
909.627	0- 600	150	46	10	
909.628	0- 750	150	55	20	
909.629	0-1000	150	55	20	
909.630	0-1500	200	66	20	
909.631	0-2000	200	66	20	
<b>Meas. knives for external measurements (II):</b>					
909.675	0- 300	90	22	10	
909.663	0- 400	100	46	10	
909.664	0- 500	150	46	10	
909.665	0- 600	150	46	10	
909.666	0- 750	150	55	20	
909.667	0-1000	150	55	20	
909.668	0-1500	200	66	20	
909.669	0-2000	200	66	20	

Visite nuestra web en Internet en [www.arapa.es](http://www.arapa.es)

## Workshop calipers

Large and solid, stainless steel calipers with no-glare chrome finished scale and vernier. The calipers with a measuring range up to 300 mm have a mm/inch graduation, those with a measuring range of 400 mm and more only have a metric graduation.

- Measuring range: 0- 1000 mm.
- Vernier: 0.05 mm / 1/128 inch.
- Rounded jaw ends for internal measurements.
- With or without fine adjustment.
- With or without measuring knives for external measurements.
- DIN 862.
- Delivery with an inspection report.
- Case available on request.



### Without measuring knives

Item No.	Measuring range/mm	Jaw length mm	Price
<b>Without fine adjustment:</b>			
836.360	0- 200	80	
836.361	0- 300	90	
836.362	0- 400	125	
836.363	0- 500	150	
836.364	0- 600	150	
836.365	0- 800	150	
836.367	0-1000	150	
<b>With fine adjustment:</b>			
836.380	0- 200	80	
836.381	0- 300	90	
836.382	0- 400	125	
836.383	0- 500	150	
836.384	0- 600	150	
836.385	0- 800	150	
836.386	0-1000	150	

### With meas. knives for external measurements

Item No.	Measuring range/mm	Jaw length mm	Price
<b>Without fine adjustment:</b>			
836.370	0- 200	80	
836.371	0- 300	90	
836.372	0- 400	125	
836.373	0- 500	150	
836.374	0- 600	150	
836.375	0- 800	150	
836.376	0-1000	150	
<b>With fine adjustment:</b>			
836.390	0- 200	80	
836.391	0- 300	90	
836.392	0- 400	125	
836.393	0- 500	150	
836.394	0- 600	150	
836.395	0- 800	150	
836.396	0-1000	150	

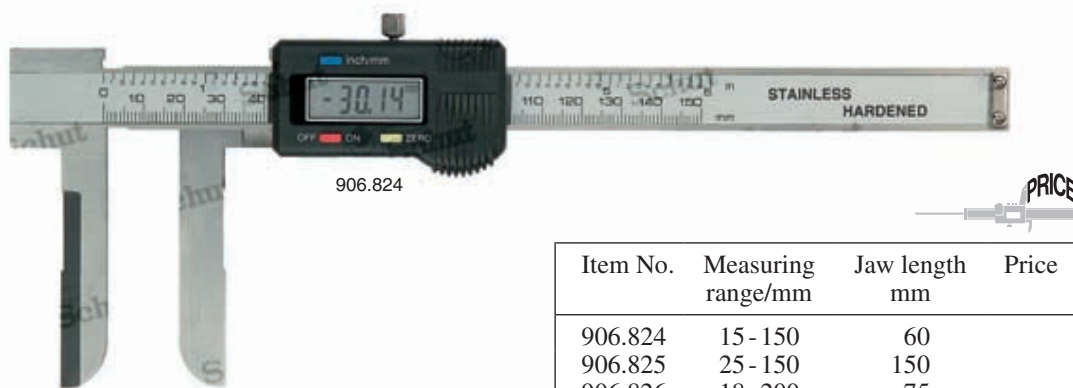


Visite nuestra web en Internet en  
[www.arapa.es](http://www.arapa.es)

## Digital calipers for internal measurements

Calipers with long measuring jaws for internal measurements.

- Measuring range: 15 - 300 mm.
- Resolution: 0.01 mm.
- mm/inch conversion.
- ABS/INC switchable.
- On/off switch.
- Reset/preset.
- Memory for measuring values when the display is switched off.
- Fine adjustment.
- Delivery with an inspection report.
- Power supply: 1 battery type V357.



906.824

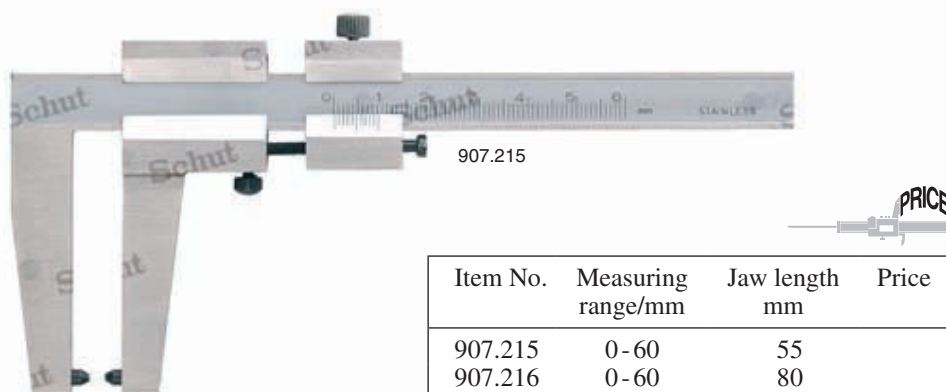


Item No.	Measuring range/mm	Jaw length mm	Price
906.824	15 - 150	60	
906.825	25 - 150	150	
906.826	18 - 200	75	
906.827	25 - 200	150	
906.828	20 - 300	90	
906.829	25 - 300	150	
<b>Option:</b>			
836.535	Spare battery		

## Brake disc calipers

Brake disc calipers especially for measuring the groove depth of brake discs.

- Measuring range: 0 - 90 mm.
- Vernier: 0.1 mm.
- Locking screw.
- Stainless steel construction.



907.215

Item No.	Measuring range/mm	Jaw length mm	Price
907.215	0 - 60	55	
907.216	0 - 60	80	
907.217	0 - 90	120	

Visite nuestra web en Internet en [www.arapa.es](http://www.arapa.es)



## Probe set for calipers

This probe set enlarges the possibilities of a regular caliper. Probe holders are slid on the measuring jaw of the caliper. The different probes can be screwed onto them. The probe set makes it possible to execute measurements which are not possible with a regular caliper, such as measuring internal grooves and center distances.

- Maximum jaw thickness: 3.2 mm.
- Delivery in a wooden case.



∅		
6 mm	>16 mm	>4 mm
10 mm	>20 mm	>1 mm
12.5 mm	>22 mm	>0 mm

**3, 4, 5**  
Disc probes for internal measurements.

**6**  
Conical probes (9 mm) for measuring center distances of two equal holes.

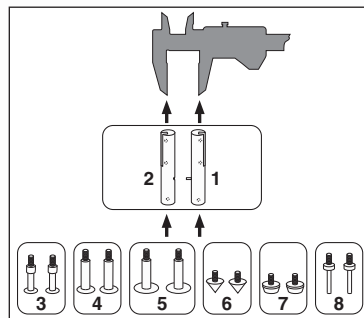
**7**  
Conical probes (12.5 mm) for measuring center distances of two equal holes.

**8**  
Horizontally positioned cylindrical probes for measuring internal grooves > 45 mm.

**8**  
Vertically positioned cylindrical probes.

**The set consists of:**

- ① right probe holder,
- ② left probe holder,
- ③ pair of disc probes ∅ 6 mm,
- ④ pair of disc probes ∅ 10 mm,
- ⑤ pair of disc probes ∅ 12.5 mm,
- ⑥ pair of cone probes ∅ 9 mm, 60°,
- ⑦ pair of cone probes ∅ 12.5 mm, 60°,
- ⑧ pair of cylindrical probes ∅ 1.5 x 9 mm,
- ⑨ hexagon key.



Item No.	Description	Price
909.655	Probe set for calipers	

C02-225-EN-dec-20110825

Visite nuestra web en Internet en [www.arapa.es](http://www.arapa.es)

## Caliper inspection set

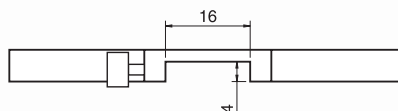
For checking the accuracy of DIN 862 calipers. The set consists of three special steel gauge blocks (30 mm, 41.3 mm and 131.4 mm, ISO 3650 class 1), two steel setting rings ( $\varnothing 4$  mm and  $\varnothing 25$  mm) and a pair of gloves.



Item No.	Description	Price
909.347	Caliper inspection set	

## Depth measuring base for calipers

Universal depth measuring base for stable and accurate depth measurements. Suitable for most of the calipers with a depth rod and a measuring range up to 200 mm. For more information please contact our sales department.



Item No.	Measuring face l x w/mm	Price
909.156	75 x 6	

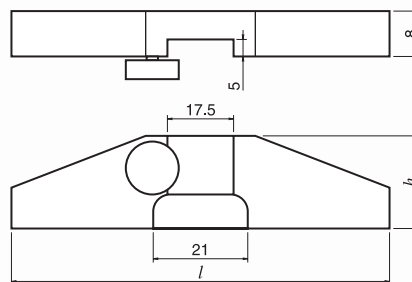
## Depth measuring bases for calipers

Universal depth measuring bases for stable and accurate depth measurements. Suitable for most of the calipers with a depth rod and a measuring range up to 200 mm. For more information please contact our sales department.



909.386

**NEW**



Item No.	Measuring face l x w/mm	Height h/mm	Price
909.386	80 x 8	20	
909.387	100 x 8	24	

Visite nuestra web en Internet en [www.arapa.es](http://www.arapa.es)

## Soft cases for calipers

Protect calipers during transport and storage.

- For regular shaped calipers (analog, digital and dial type).
- Made of synthetic leather.



Item No.	For meas. range/mm	Price
909.494	100	
909.495	150	
909.496	160	
909.497	200	
909.498	300	



909.495

**NEW**

## Digital protractor

Compact digital protractor to attach to a caliper or height gauge.

- Measuring range: 180°.
- Resolution: 0.01° or 1'.
- Accuracy: ± 5'.
- Digimatic data output.
- On/off switch.
- Automatic switch-off (adjustable).
- Preset or hold function.
- Reset.
- Reversible measuring direction.
- Weight: 160 g.
- Delivery in a case including assembly key, mounting bracket (clamping shaft 9 x 9 mm) and clamping screw for height gauge.
- Power supply: 2 batteries type AAA.



Item No.	Description	Price
855.803	Digital protractor	
<b>Options:</b>		
497.914	Spare battery (2 needed)	
905.338	Digimatic cable, 1 m	
905.409	Digimatic cable, 2 m	

## Measuring instruments set

- Caliper 0-150 mm, vernier 0.02 mm.
- Micrometer 0-25 mm, graduation 0.01 mm.
- Precision square 100 x 70 mm.
- Ruler 0-150 mm.
- Adjustment tool.



Item No.	Description	Price
906.176	Meas. instruments set	



C02-307-EN-declar/20110825

Visite nuestra web en Internet en [www.arapa.es](http://www.arapa.es)

30

© 2011 MAQUINARIA INDUSTRIAL ARAPA, S.L.

## Depth calipers

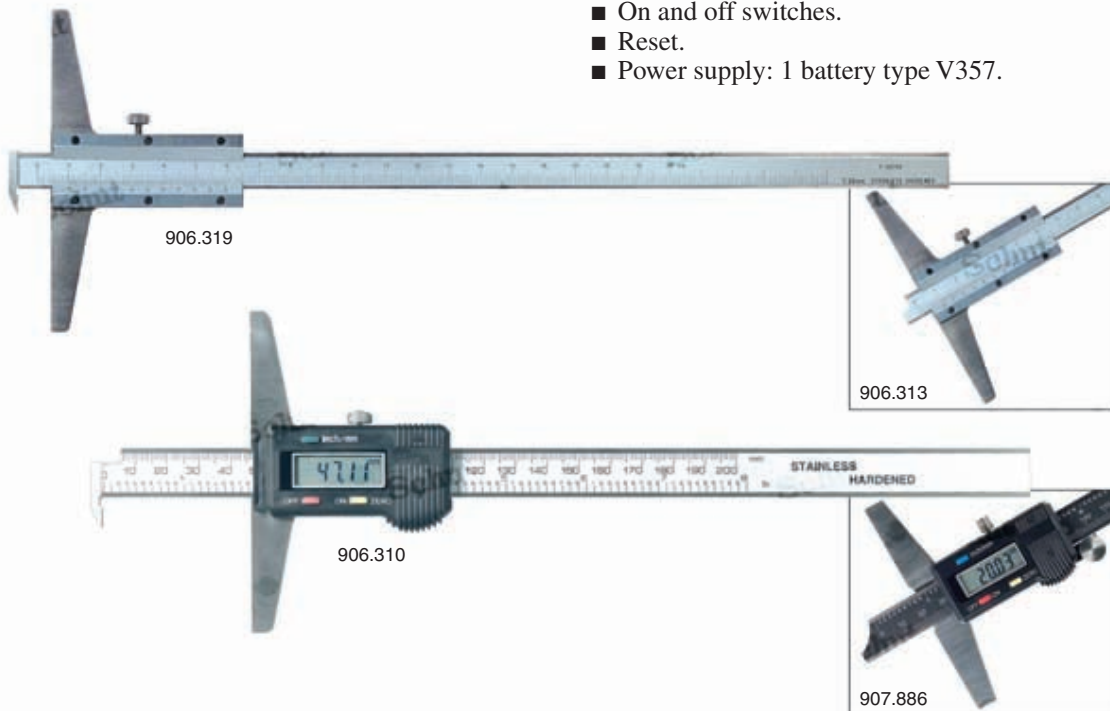
- Measuring range: 0-500 mm.
- Analog: vernier 0.02 mm, digital: resolution 0.01 mm.
- With or without hook.

### Analog

- Stainless steel construction.
- No-glare chrome finished scale and vernier.

### Digital

- mm/inch conversion.
- On and off switches.
- Reset.
- Power supply: 1 battery type V357.



### Analog

Item No.	Measuring range/mm	Base length/mm	Price
<b>Without hook:</b>			
906.313	0-200	100	
906.315	0-300	100	
906.317	0-500	100	
<b>With hook:</b>			
906.319	0-200	100	
906.321	0-300	100	

### Digital

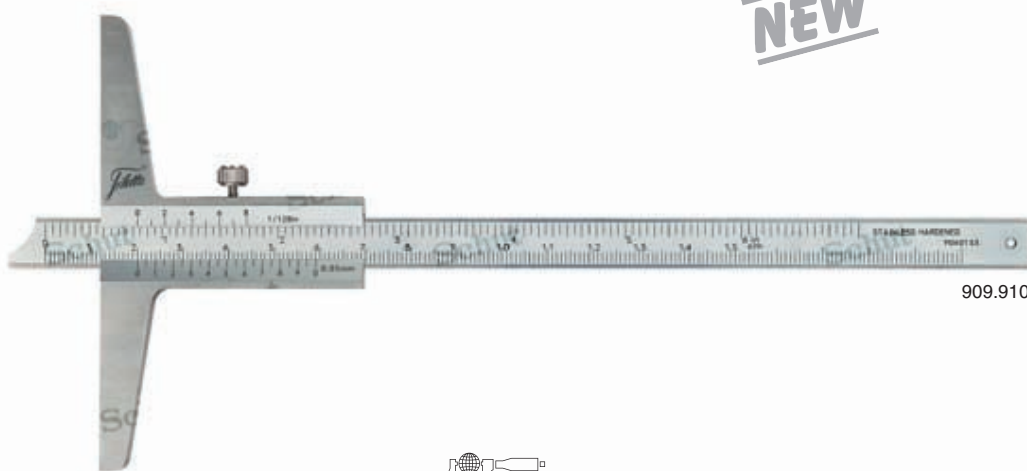
Item No.	Measuring range/mm	Base length/mm	Price
<b>Without hook:</b>			
907.886	0-150	100	
907.887	0-200	100	
907.888	0-300	100	
907.898	0-500	120	
<b>With hook:</b>			
906.310	0-200	100	
906.311	0-300	100	
906.312	0-500	100	
<b>Option:</b>			
836.535	Spare battery		

Visite nuestra web en Internet en [www.arapa.es](http://www.arapa.es)

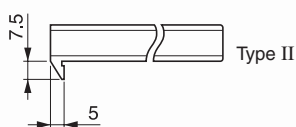
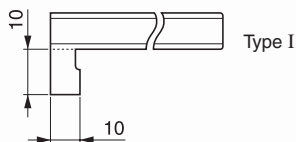
## Depth calipers

Depth calipers with or without hook.

- Measuring range: 0 - 300 mm.
- Vernier: 0.05 mm.
- No-glare chrome finished scale and vernier.
- Stainless steel construction.
- DIN 862.
- Larger measuring ranges available on request.



909.910



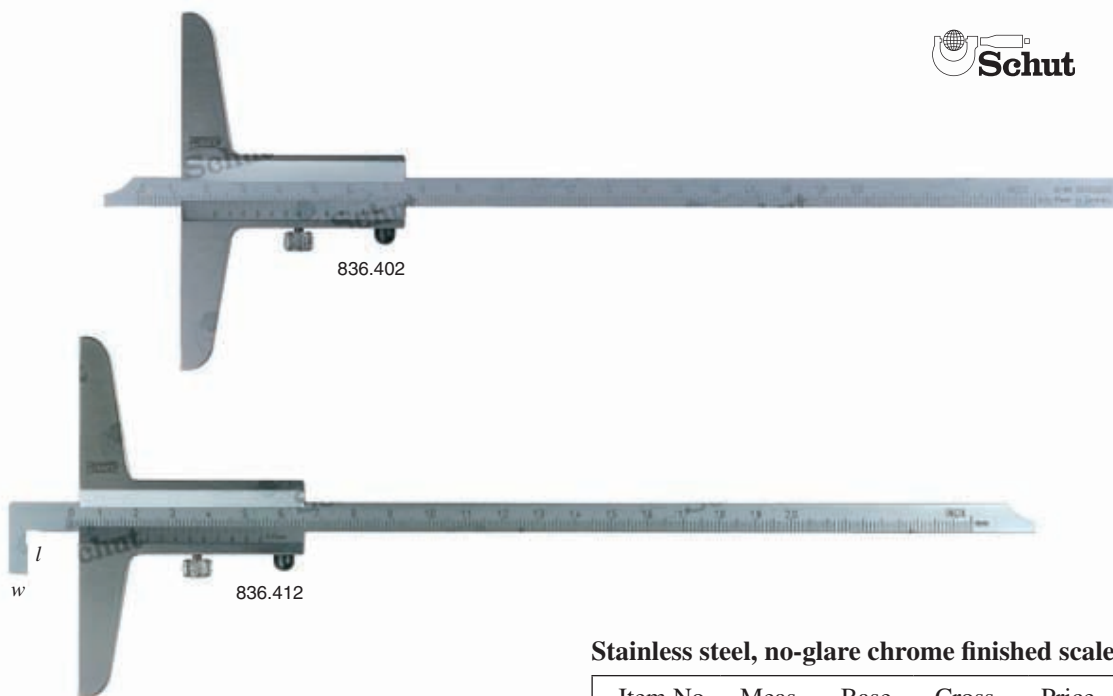
Item No.	Measuring range/mm	Base length/mm	Price
<b>Without hook:</b>			
909.910	0 - 150	100	
909.911	0 - 200	100	
909.912	0 - 300	100	
<b>With hook (type I):</b>			
909.916	0 - 150	100	
909.917	0 - 200	100	
909.918	0 - 300	100	
<b>With hook (type II):</b>			
909.922	0 - 150	100	
909.923	0 - 200	100	
909.924	0 - 300	100	

Visite nuestra web en Internet en [www.arapa.es](http://www.arapa.es)

## Depth calipers

Depth calipers with or without hook. The models with a hook have graduations on both sides of the scale, allowing reversed usage (i.e. without hook) of the instrument.

- Measuring range: 0- 1000 mm.
- Vernier: 0.05 mm.
- No-glare chrome finished vernier.
- DIN 862.
- Length (*l*) and width (*w*) of the hook at a scale cross-section of
  - 8 x 3 mm: 12 x 5 mm,
  - 12 x 4 mm: 16 x 10 mm,
  - 20 x 5 mm: 54 x 19 mm.



### Special steel

Item No.	Meas. range mm	Base length mm	Cross-section scale/mm	Price
<b>Without hook:</b>				
836.445	0- 200	100	8 x 3	
836.446	0- 300	150	12 x 4	
836.448	0- 500	250	20 x 5	
836.449	0- 800	250	20 x 5	
836.450	0- 1000	250	20 x 5	
<b>With hook:</b>				
836.431	0- 200	100	8 x 3	
836.433	0- 300	150	12 x 4	

### Stainless steel, no-glare chrome finished scale

Item No.	Meas. range mm	Base length mm	Cross-section scale/mm	Price
<b>Without hook:</b>				
836.402	0- 200	100	8 x 3	
836.403	0- 300	150	12 x 4	
836.404	0- 500	150	12 x 4	
836.405	0- 500	250	20 x 5	
836.407	0- 800	250	20 x 5	
836.410	0- 1000	250	20 x 5	
<b>With hook:</b>				
836.412	0- 200	100	8 x 3	
836.413	0- 300	150	12 x 4	
836.414	0- 500	150	12 x 4	
836.415	0- 500	250	20 x 5	
836.417	0- 800	250	20 x 5	
836.420	0- 1000	250	20 x 5	

Visite nuestra web en Internet en [www.arapa.es](http://www.arapa.es)

## Digital depth gauge

- Measuring range: 0-21.5 mm.
- Resolution: 0.01 mm.
- mm/inch conversion.
- On/off switch.
- Reset.
- Measuring face: 45 x 6 mm.
- Measuring pin: 6 x 2 mm, taper to 4 x 2 mm.
- Power supply: 1 battery type V357.



Item No.	Measuring range/mm	Price
907.861	0-21.5	
<b>Option:</b>		
836.535	Spare battery	

## Depth gauge with dial

- Measuring range: 0-25 mm.
- Graduation: 0.1 mm.
- Measuring face: 60 x 25 mm.
- Measuring pin:  $\varnothing$  3 mm.



Item No.	Measuring range/mm	Price
853.110	0-25	

## Depth calipers for keyway depths

- Measuring range: keyway depths 0-60 mm.
- Application range: cylinders  $\varnothing$  5-200 mm.
- Vernier: 0.05 mm.
- Stainless steel construction.



Item No.	Application range/mm	Price
907.192	$\varnothing$ 5- 80	
907.193	$\varnothing$ 6-120	
907.194	$\varnothing$ 7-160	
907.195	$\varnothing$ 8-200	

## Käfer depth dial indicators

- Measuring range: 0-30 mm.
- Graduation: 0.01 mm.
- Measuring pin shaft:  $\varnothing$  2 mm.
- Measuring depth with pin 852.385: 200 mm.
- Excl. measuring pin and measuring base.
- Accuracy according DIN 878 (852.383) or factory standard (852.384).



Item No.	Measuring range/mm	Price
852.383	0-10	
852.384	0-30	
<b>Options:</b>		
852.385	Measuring pin $\varnothing$ 2 mm	
907.153	Meas. base 63 x 17 mm	
907.165	Meas. base 101.5 x 17 mm*	

\* Larger sizes available on request.

Visite nuestra web en Internet en  
www.arapa.es

## Digital depth micrometers

Digital depth micrometers with interchangeable, spherical rods, because of which beveled and hollow surfaces can be measured very accurately. The high accuracy of the rods makes resetting after exchanging the rods unnecessary. Two models with different base lengths available.

- Measuring range: 0 - 300 mm.
- Resolution: 0.001 mm.
- mm/inch conversion.
- ABS/INC switchable.
- Automatic switch-off.
- Preset.
- Measuring rods:  $\varnothing 4.5$  mm.
- Locking screw.
- DIN 863 T2.
- Power supply: 1 battery type V357.



906.982



Item No.	Measuring range/mm	Accuracy/mm	Number of rods	Price
<b>Base 63 mm:</b>				
906.982	0 - 25	$\pm 0.004$	1	
906.983	0 - 50	$\pm 0.004$	2	
906.984	0 - 100	$\pm 0.005$	4	
906.985	0 - 150	$\pm 0.005$	6	
906.986	0 - 200	$\pm 0.006$	8	
906.987	0 - 300	$\pm 0.007$	12	
<b>Base 101.5 mm:</b>				
906.988	0 - 25	$\pm 0.004$	1	
906.989	0 - 50	$\pm 0.004$	2	
906.990	0 - 100	$\pm 0.005$	4	
906.991	0 - 150	$\pm 0.005$	6	
906.992	0 - 200	$\pm 0.006$	8	
906.993	0 - 300	$\pm 0.007$	12	
<b>Option:</b>				
836.535	Spare battery			

012-280-EN-declar/20110825

Visite nuestra web en Internet en  
[www.arapa.es](http://www.arapa.es)



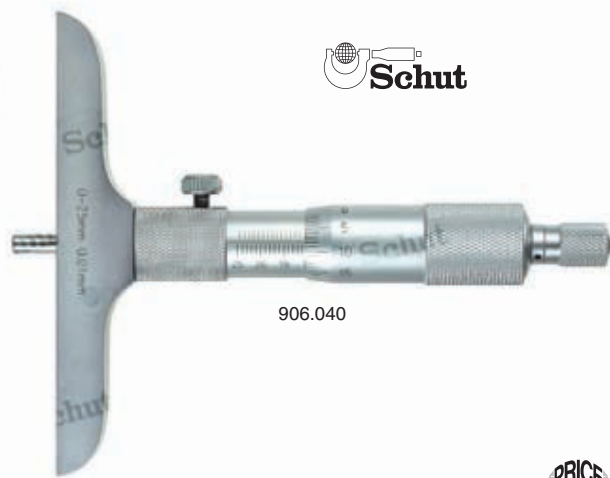
## Depth micrometers

Depth micrometers with interchangeable, spherical or flat rods. With the flat rods mainly flat and spherical surfaces can be measured very accurately. The spherical rods are especially suitable for beveled and hollow surfaces. The high accuracy of the rods makes recalibration after exchanging the rods unnecessary. Two models with different base lengths available.

- Measuring range: 0-300 mm.
- Graduation: 0.01 mm.
- Measuring rods:  $\varnothing$ 4.5 mm.
- Locking screw.
- DIN 863 T2.



906.970



906.040

**Schut**

PRICE

### Model with spherical rods especially for hollow and beveled surfaces

Item No.	Price	Item No.	Price	Measuring range/mm	Accuracy mm	Number of rods
<b>Base 63 mm:</b>		<b>Base 101.5 mm:</b>				
906.964		906.040		0- 25	$\pm$ 0.004	1
906.965		906.039		0- 50	$\pm$ 0.004	2
906.966		906.041		0-100	$\pm$ 0.005	4
906.967		906.042		0-150	$\pm$ 0.005	6
906.968		906.043		0-200	$\pm$ 0.006	8
906.969		906.044		0-300	$\pm$ 0.007	12

### Model with flat rods especially for flat and spherical surfaces

Item No.	Price	Item No.	Price	Measuring range/mm	Accuracy mm	Number of rods
<b>Base 63 mm:</b>		<b>Base 101.5 mm:</b>				
906.970		906.976		0- 25	$\pm$ 0.004	1
906.971		906.977		0- 50	$\pm$ 0.004	2
906.972		906.978		0-100	$\pm$ 0.005	4
906.973		906.979		0-150	$\pm$ 0.005	6
906.974		906.980		0-200	$\pm$ 0.006	8
906.975		906.981		0-300	$\pm$ 0.007	12

Visite nuestra web en Internet en  
www.arapa.es